

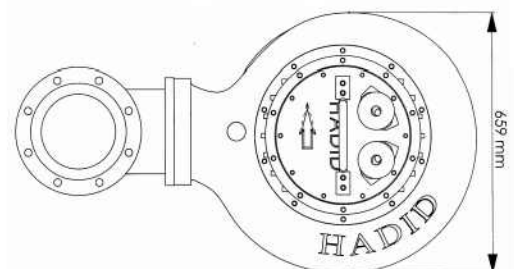
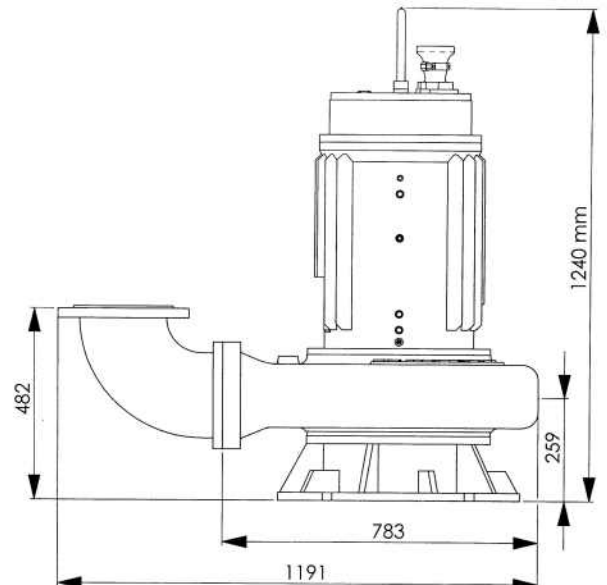
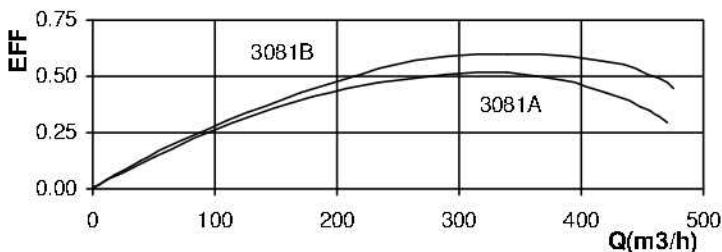
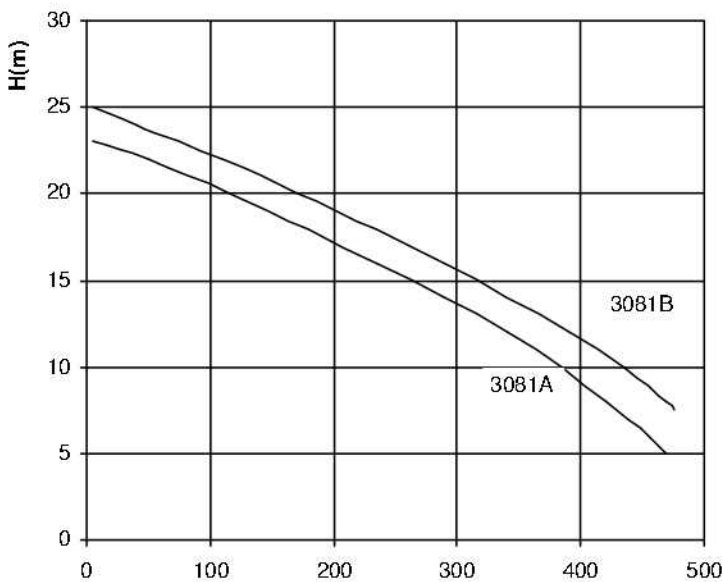


ENGINEERING INFORMATION

TYPE 3081A			CAPACITY											
			m ³ /h	470	455	420	385	340	290	235	180	115	50	5
KW	22	OUTLET 8 in	l/s	131	127	117	107	95	81	65	50	32	13.9	1.4
HP	30	PIPE DN 200	HEIGHT											
R.P.M	980	weight 700 kg	m	5	6	8	10	12	14	16	18	20	22	23

TYPE 3081B			CAPACITY											
			m ³ /h	475	470	435	390	340	290	235	170	110	40	5
KW	22	OUTLET 8 in	l/s	132	131	121	108.4	94.5	80.6	65.3	47.3	30.6	11.1	1.4
HP	30	PIPE DN 200	HEIGHT											
R.P.M	980	weight 700 kg	m	7.5	8	10	12	14	16	18	20	22	24	25

IP68 - CLASS F - 380/660 V (Y/Δ) - 48A - 50HZ



30HP - 8"

SEWAGE PUMP
THREE PHASE



HADID
PUMP COMPANY

ENGINEERING INFORMATION

TYPE 3082A		CAPACITY											
		m3/h	620	600	565	530	490	445	400	350	300	245	60
KW 22	OUTLET 8 in	l/s	172	167	157	147	136	124	111	97	83	68	17
HP 30	PIPE DN 200	HEIGHT											
R.P.M 980	weight 700 kg	m	6	7	8	9	10	11	12	13	14	15	18

TYPE 3082B		CAPACITY											
		m3/h	360	325	285	240	175	105	25				
KW 22	OUTLET 8 in	l/s	100	90.4	79.2	67	49	29	7				
HP 30	PIPE DN 200	HEIGHT											
R.P.M 980	weight 700 kg	m	15	16	17	18	19	20	20.8				

TYPE 3082C		CAPACITY											
		m3/h	265	255	240	210	185	155	110	60	10		
KW 22	OUTLET 8 in	l/s	74	71	67	58.4	51.4	43	30.6	16.7	2.8		
HP 30	PIPE DN 200	HEIGHT											
R.P.M 980	weight 700 kg	m	18.8	19	19.5	20	20.5	21	21.5	22	22.2		

IP68 - CLASS F - 380/660 V (Y/Δ) - 48 A - 50HZ

